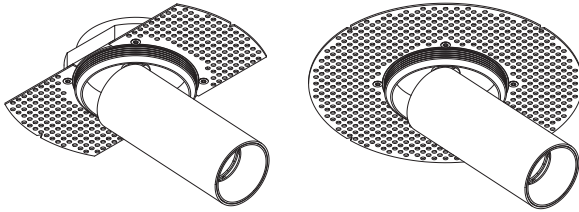


Tektus Trimless



This product contains a light source of energy efficiency class F



DOXIS
LIGHTING FACTORY

A) Standard plasterkit in False ceiling

- A1. Drill hole in the ceiling
- A2. Place housing in ceiling by positioning it sideways
- A3. Fix housing by screwing screws into ceiling
- A4. Adjust housing height by screwing out positioning ring (ring can be fixed with set screw)
- A5. Finish ceiling using plaster and paint

B) Standard plasterkit in False ceiling + C) Concrete plasterkit

- B1/C1. Drill hole in the ceiling
- B2/C2. Place housing in ceiling, fix with screws
- B3/C3. Adjust housing height by screwing out positioning ring (ring can be fixed with set screw)
- B4/C4. Finish ceiling using plaster and paint

D) Inserting & connecting cassette

- D1. Connect Tektus trimless cassette to driver
- D2. Connect 230V to driver
- D3. Insert cassette into ceiling

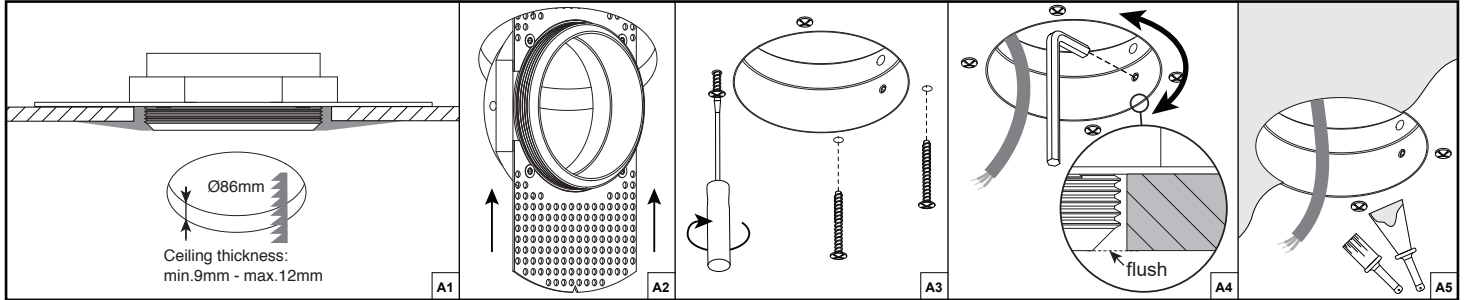
Forward voltages and nominal drive currents are mentioned on the label supplied with the product or can be found in the technical datasheet of the product.

Always use the correct driver.

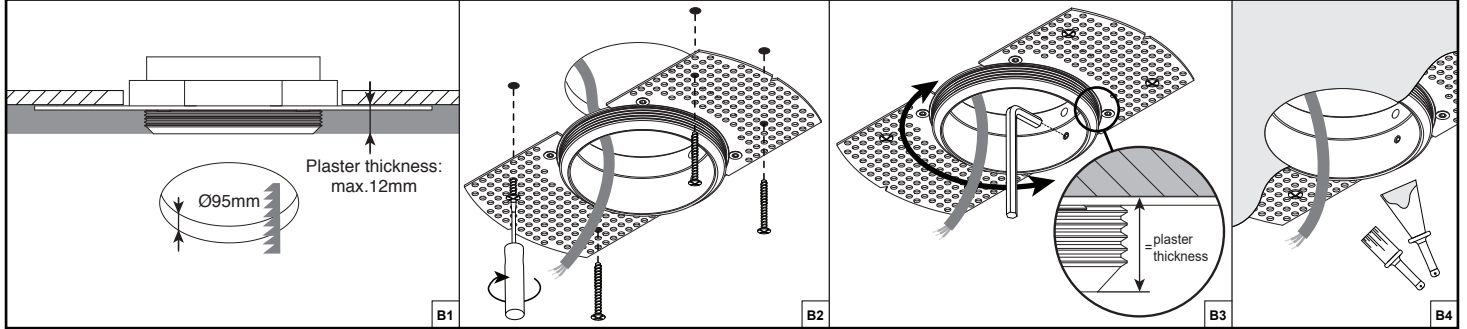
Always install the driver according to the wiring schematics supplied with the driver. Always check if multi-current drivers are set to the correct output current.

Doxis Lighting Factory cannot be held responsible for damage caused by using the wrong driver.

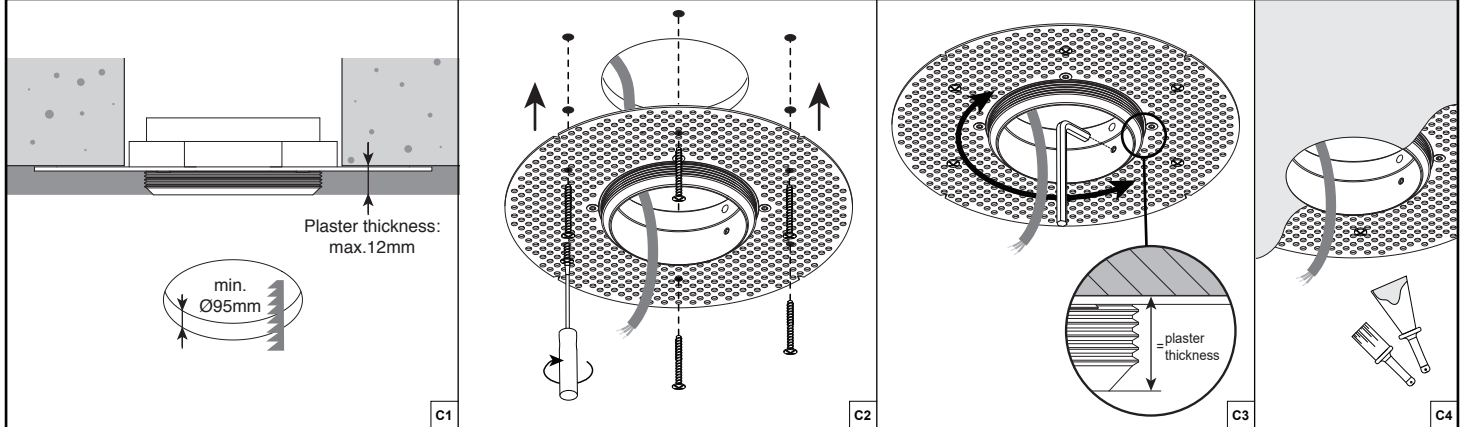
A) Standard plasterkit for placement in false ceilings



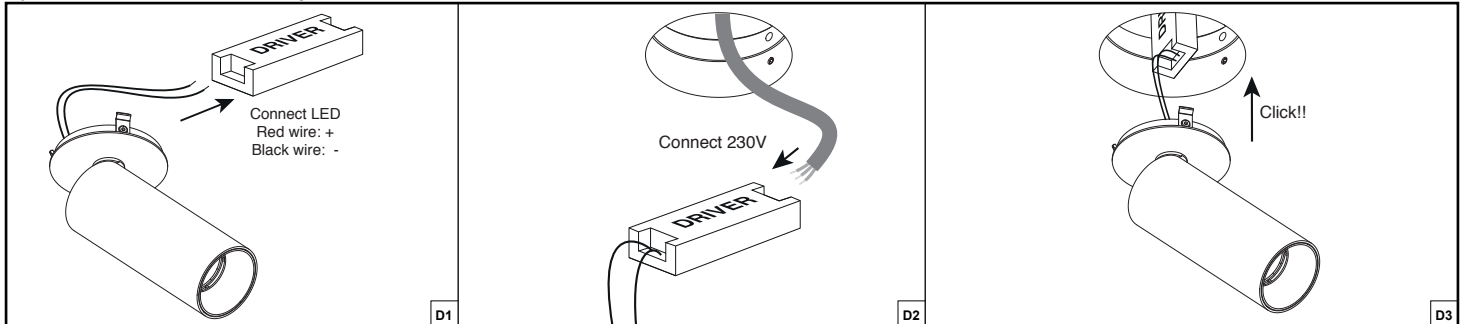
B) Standard plasterkit for placement on false ceilings which are finished with plaster



C) Concrete plasterkit for placement in concrete ceilings which are finished with plaster



D) Electrical connection and placement of cassette



⚠ Attention!!

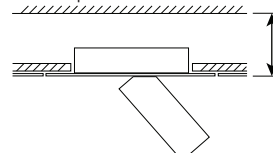
Always follow the instructions described in this document and store this document for future reference.

Do not touch LED surface. Warranty void if LED contact has taken place. Only to be installed by a qualified electrician.

Always make sure power is completely switched off when working on luminaire.

Doxis Lighting Factory NV cannot be held responsible for any damage caused by incorrect installation, modification, reparation or incorrect application/usage of the product.

Air circulation notice:
Do not topload with insulation materials



Build-in depths:
Driver 490.24.16: 130mm
Driver 490.25.20: 110mm
Driver 490.26.20: 110mm
Driver 490.27.20: 85mm
Driver 497.27.20: 110mm