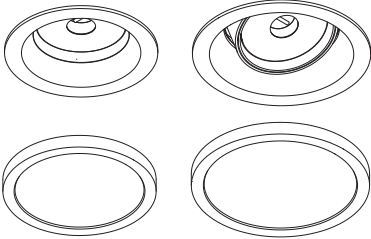


# Aster Recessed



**Instructions:**

1. Cut out hole in ceiling
2. Connect LED to driver
3. Connect 230V to driver
4. Insert driver and spot into ceiling

**Instructions Aster mix IP54 orientation:**

- A. Untighten front ring (screw off)
- B. Remove front ring and protective glass (be careful not to break glass)
- C. Tilt and orient LED engine
- D. Place front ring and protective glass back
- E. Be careful not to tighten the front ring too much (glass might break otherwise)

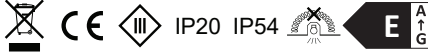
Forward voltages and nominal drive currents are mentioned on the label supplied with the product or can be found in the technical datasheet of the product.

**Always use the correct driver.**

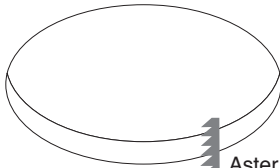
Always install the driver according to the wiring schematics supplied with the driver. Always check if multi-current drivers are set to the correct output current.

Doxis Lighting Factory cannot be held responsible for damage caused by using the wrong driver.

This product contains a light source of energy efficiency class E

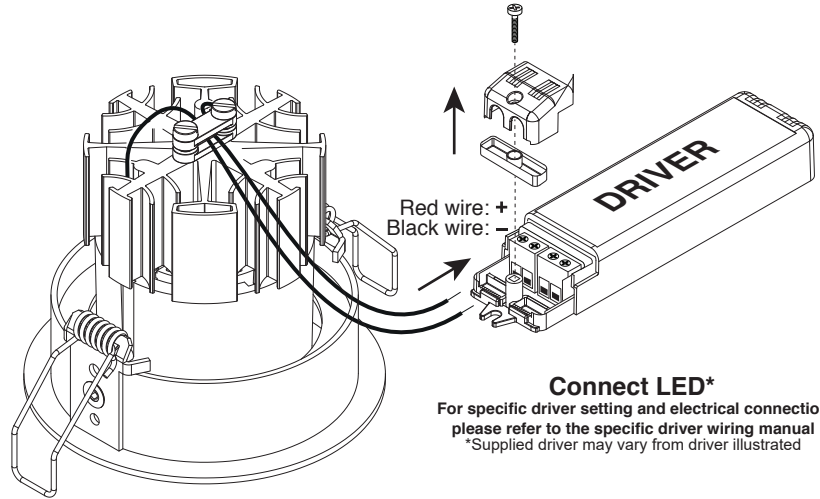


Cut out hole in ceiling



Aster Fix: Ø83mm  
Aster Mix: Ø92-95mm

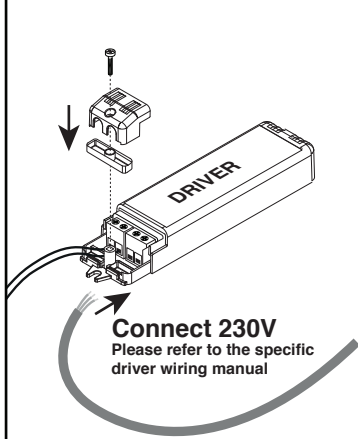
1



**Connect LED\***

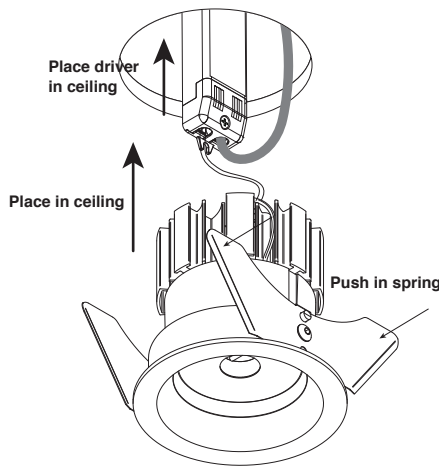
For specific driver setting and electrical connection please refer to the specific driver wiring manual  
\*Supplied driver may vary from driver illustrated

2



**Connect 230V**  
Please refer to the specific driver wiring manual

**Trapezium springs**

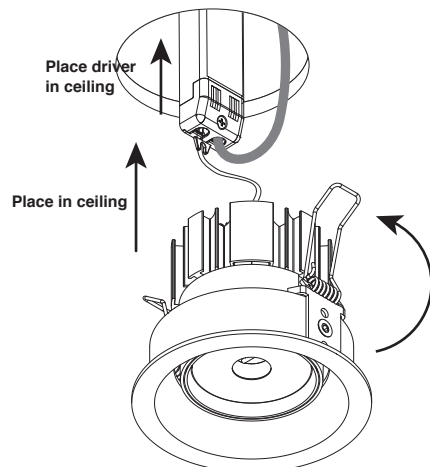


Place driver in ceiling

Place in ceiling

Push in spring

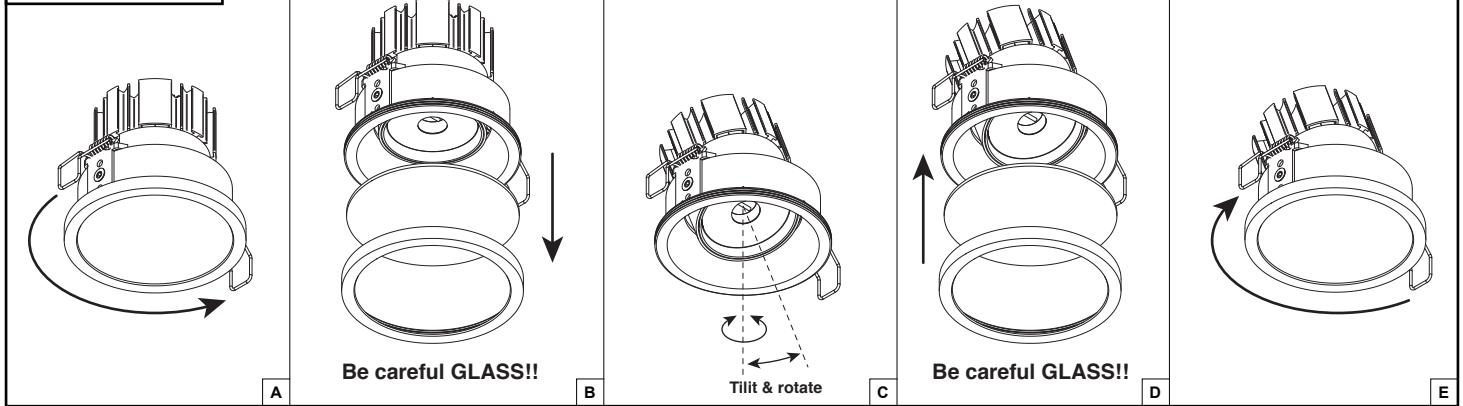
**Boobytrap springs**



Place driver in ceiling

Place in ceiling

**Aster IP54 spot orientation**



**Be careful GLASS!!**

Tilt & rotate

**Be careful GLASS!!**

**Attention!!**

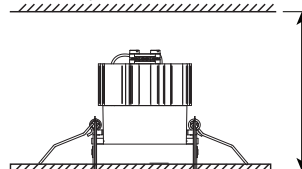
Always follow the instructions described in this document and store this document for future reference.

Do not touch LED surface. Warranty void if LED contact has taken place. Only to be installed by a qualified electrician.

Always make sure power is completely switched off when working on luminaire.

Doxis Lighting Factory NV cannot be held responsible for any damage caused by incorrect installation, modification, reparation or incorrect application/usage of the product.

Do not topload with insulation materials



Build-in depth: 120mm