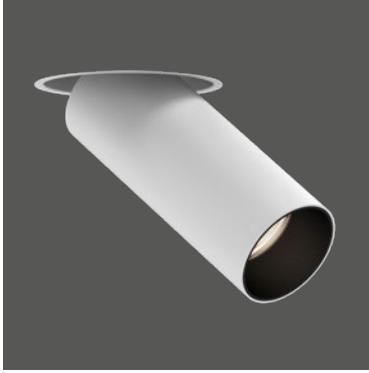


Tektus 60 Telescopic

Technical Datasheet

DOXIS
LIGHTING FACTORY



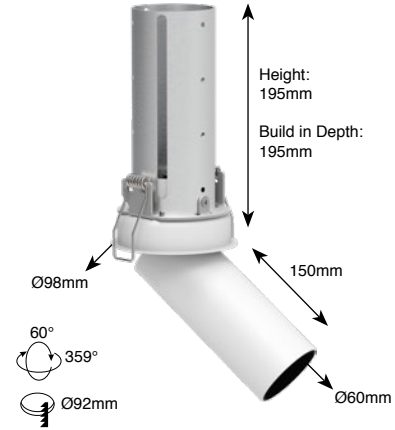
General	
Type	Recessed Downlight
Material	Aluminium
Lamp Type	COB LED
Adjustable	Yes (60°/359°)
Dimmable	Yes
Cooling	Passive
Energy Class	A++
Weight	n.a.
Photobiol. Safety	RG1
Class (luminaire)	class III
Class (driver)	class II

IP20  960°C  LED

Features:

High efficiency LED Downlight, equipped with a Citizen COB LED.
Extruded aluminium, compact design.
High quality components.
Various colors available.

Air circulation notice:
Do not toplevel with insulation materials



Art. nr.	Lightsources INCLUDED	CCT - CRI	Light output* LED / System	Efficacy**/** LED / System	Power** LED / System	Power supply INCLUDED	SDCM
1076.AA.24.927.XX	Citizen CLU038J LED	2700K - Ra90	1517lm / 995lm (350mA) 2118lm / 1390lm (500mA)	134lm/W / 77lm/W (350mA) 128lm/W / 73lm/W (500mA)	11.3W / 13.0W (350mA) 16.5W / 19.0W (500mA)	Non dimmable driver with adjustable output current (493.24.22)	3
1076.AA.24.930.XX	Citizen CLU038J LED	3000K - Ra90	1577lm / 1035lm (350mA) 2202lm / 1445lm (500mA)	140lm/W / 80lm/W (350mA) 133lm/W / 76lm/W (500mA)	11.3W / 13.0W (350mA) 16.5W / 19.0W (500mA)	Non dimmable driver with adjustable output current (493.24.22)	3
1076.AA.24.940.XX	Citizen CLU038J LED	4000K - Ra90	1601lm / 1050lm (350mA) 2236lm / 1467lm (500mA)	142lm/W / 81lm/W (350mA) 136lm/W / 77lm/W (500mA)	11.3W / 13.0W (350mA) 16.5W / 19.0W (500mA)	1-10V & Push dimmable driver with adjustable output current (490.25.20)	3
1076.AA.25.927.XX	Citizen CLU038J LED	2700K - Ra90	1517lm / 995lm (350mA) 2118lm / 1390lm (500mA)	134lm/W / 77lm/W (350mA) 128lm/W / 73lm/W (500mA)	11.3W / 13.0W (350mA) 16.5W / 19.0W (500mA)	1-10V & Push dimmable driver with adjustable output current (490.25.20)	3
1076.AA.25.930.XX	Citizen CLU038J LED	3000K - Ra90	1577lm / 1035lm (350mA) 2202lm / 1445lm (500mA)	140lm/W / 80lm/W (350mA) 133lm/W / 76lm/W (500mA)	11.3W / 13.0W (350mA) 16.5W / 19.0W (500mA)	1-10V & Push dimmable driver with adjustable output current (490.25.20)	3
1076.AA.25.940.XX	Citizen CLU038J LED	4000K - Ra90	1601lm / 1050lm (350mA) 2236lm / 1467lm (500mA)	142lm/W / 81lm/W (350mA) 136lm/W / 77lm/W (500mA)	11.3W / 13.0W (350mA) 16.5W / 19.0W (500mA)	1-10V & Push dimmable driver with adjustable output current (490.25.20)	3
1076.AA.26.927.XX	Citizen CLU038J LED	2700K - Ra90	1517lm / 995lm (350mA) 2118lm / 1390lm (500mA)	134lm/W / 77lm/W (350mA) 128lm/W / 73lm/W (500mA)	11.3W / 13.0W (350mA) 16.5W / 19.0W (500mA)	DALI dimmable driver with adjustable output current (490.26.20)	3
1076.AA.26.930.XX	Citizen CLU038J LED	3000K - Ra90	1577lm / 1035lm (350mA) 2202lm / 1445lm (500mA)	140lm/W / 80lm/W (350mA) 133lm/W / 76lm/W (500mA)	11.3W / 13.0W (350mA) 16.5W / 19.0W (500mA)	DALI dimmable driver with adjustable output current (490.26.20)	3
1076.AA.26.940.XX	Citizen CLU038J LED	4000K - Ra90	1601lm / 1050lm (350mA) 2236lm / 1467lm (500mA)	142lm/W / 81lm/W (350mA) 136lm/W / 77lm/W (500mA)	11.3W / 13.0W (350mA) 16.5W / 19.0W (500mA)	DALI dimmable driver with adjustable output current (490.26.20)	3
1076.AA.27.927.XX	Citizen CLU038J LED	2700K - Ra90	1517lm / 995lm (350mA) 2118lm / 1390lm (500mA)	134lm/W / 77lm/W (350mA) 128lm/W / 73lm/W (500mA)	11.3W / 13.0W (350mA) 16.5W / 19.0W (500mA)	Mains dimmable driver with adjustable output current (493.27.20)	3
1076.AA.27.930.XX	Citizen CLU038J LED	3000K - Ra90	1577lm / 1035lm (350mA) 2202lm / 1445lm (500mA)	140lm/W / 80lm/W (350mA) 133lm/W / 76lm/W (500mA)	11.3W / 13.0W (350mA) 16.5W / 19.0W (500mA)	Mains dimmable driver with adjustable output current (493.27.20)	3
1076.AA.27.940.XX	Citizen CLU038J LED	4000K - Ra90	1601lm / 1050lm (350mA) 2236lm / 1467lm (500mA)	142lm/W / 81lm/W (350mA) 136lm/W / 77lm/W (500mA)	11.3W / 13.0W (350mA) 16.5W / 19.0W (500mA)	Mains dimmable driver with adjustable output current (493.27.20)	3

0000.AA.00.000.XX

* LED light output represent values of LED chip. System light output incl. light losses of luminaire (40° reflector used as reference)
** LED power values excl. driver. System power values incl. driver power consumption (driver efficiency of 87% used as reference)

- ZM - 25-46° Zoom Lens - 0000.23.00.000.00
- 23 - 23° Lens - 0000.23.00.000.00
- 36 - 36° Lens - 0000.36.00.000.00
- 48 - 48° Lens - 0000.48.00.000.00
- 57 - 57° Lens - 0000.57.00.000.00

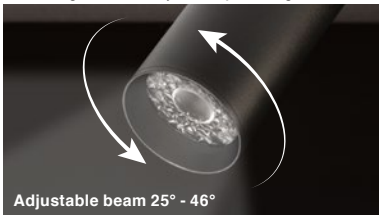
Available colors - 0000.00.000.XX-0
Other RAL colors on request



Drivers			
Name	Art. nr.	Dimensions	Description
Driver Mono non dim. 22W	493.24.22	147x44x22	Non dimmable LED Driver with adjustable output current (max. 500mA for Tektus 60!!)
Driver Mono 1-10V & Push dim. 20W	490.25.20	111x52x22	Push & 1-10V dimmable LED Driver with adjustable output current (max. 500mA for Tektus 60!!)
Driver Mono DALI dim. 20W	490.26.20	111x52x22	DALI dimmable LED Driver with adjustable output current (max. 500mA for Tektus 60!!)
Driver Mono Mains dim. 20W	493.27.20	111x52x22	Trailing- & Leading edge dimmable LED Driver with adjustable output current (max. 500mA for Tektus 60!!)

Optional zoom lens (Tektus 60 only):

Beam angle can be adjusted by rotating the fronting



Tektus telescopic is equipped with a retractable spot cilinder system which is fully orientable when completely retracted



RoHS
CE