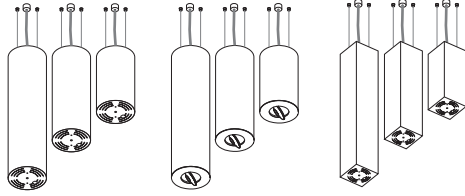


Tunnel Round & Square

600 / 900 / 1200 / Double / Triple / FlatLED

DOXIS
LIGHTING FACTORY



3000K Tunnel: This product contains a light source of energy efficiency class D
 4000K Tunnel: This product contains a light source of energy efficiency class C
 FlatLED Module: This product contains a light source of energy efficiency class E



1) Instructions:

Place suspension wire-locks

- A. Disassemble ceiling fixation
- B. Mount top part to ceiling
- C. Pull steel wire trough bottom part
- D. Reassemble fixation with steel wire hanging out.

Hang luminaire from wire locks

- E. Put wires into wire locks and adjust height by pushing in the wire-entrance

Connect power

- F. Disassemble ceiling connecting box
- G. Mount bracket to ceiling
- H. Pull cable trough box
- I. Connect cable to 230V
- J. Reassemble ceiling connecting box

2) Instructions (Only Tunnel Double / Triple):

Place suspension wire-locks

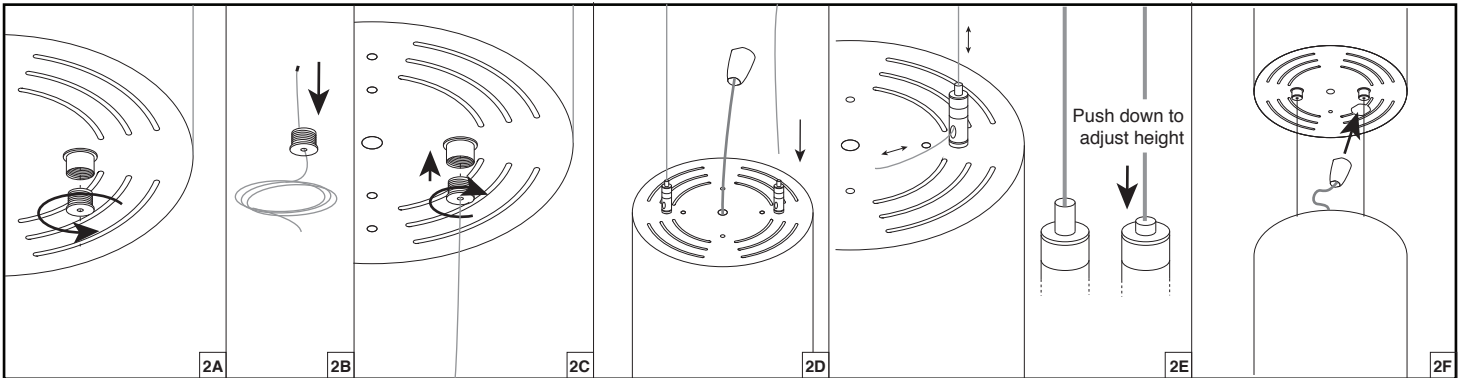
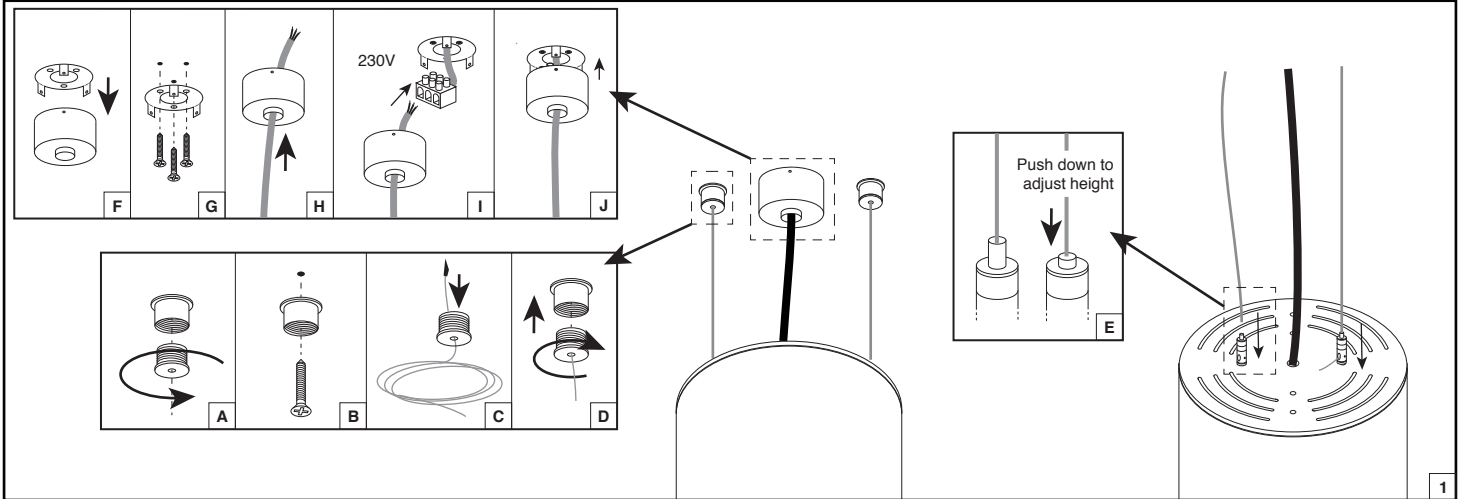
- 2A. Disassemble wire fixation
- 2B. Pull steel wire trough bottom part of wire fixation
- 2C. Reassemble fixation with steel wire hanging out.

Hang next Tunnel from wire locks

- 2D. Put wires into wire locks
- 2E. Adjust height by pushing in the wire-entrance

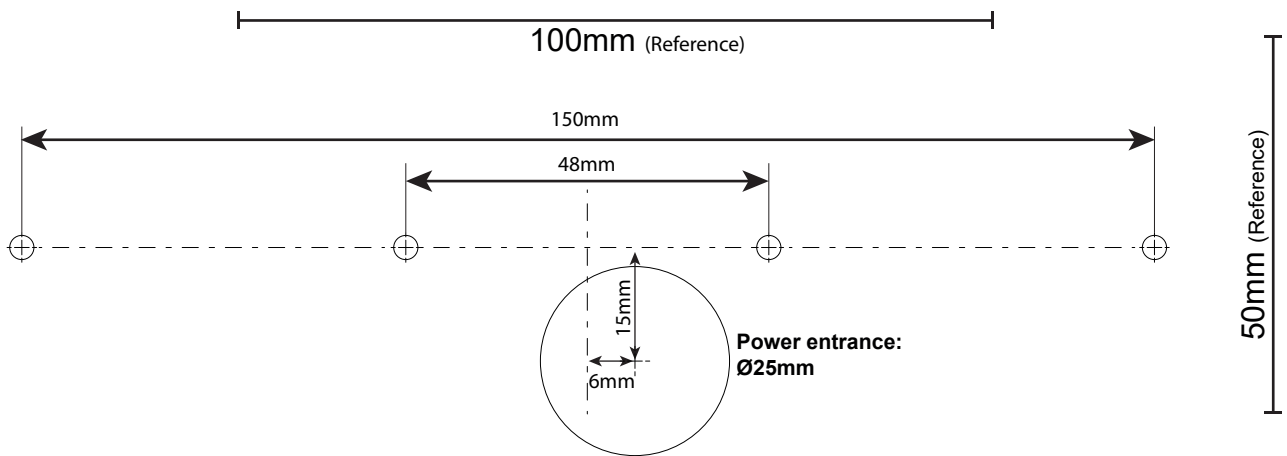
Connect Power

- 2F. Connect power cable to top Tunnel



Positions mounting

DRAWING BELOW MAY BE SCALED DUE TO INCORRECT PRINTER SETTINGS OR PRINT ERRORS
 WHEN USING DRAWING BELOW AS A STENCIL PLEASE CHECK IF THE REFERENCE LINES HAVE THE CORRECT LENGTH



⚠ Attention!!

Always follow the instructions described in this document and store this document for future reference.

Do not touch LED surface. Warranty void if LED contact has taken place.
 Only to be installed by a qualified electrician.

Always make sure power is completely switched off when working on luminaire.

Doxis Lighting Factory NV cannot be held responsible for any damage caused by incorrect installation, modification, reparation or incorrect application/usage of the product.

Non dim.:

N blue
 L yellow-green
 L brown

1-10V dim.:

N blue
 L yellow-green
 L brown
 1-10V + black
 1-10V - grey

TD/DALI

N blue
 L yellow-green
 L brown
 DALI + black
 DALI - grey